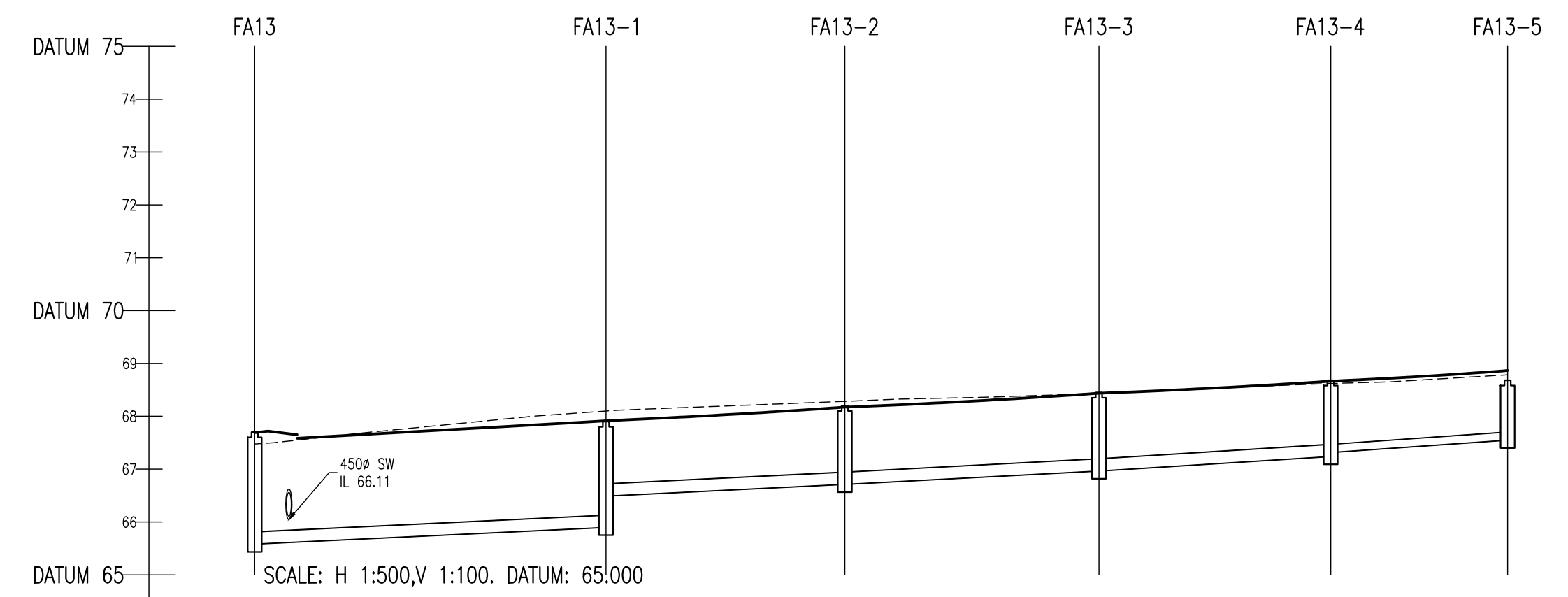
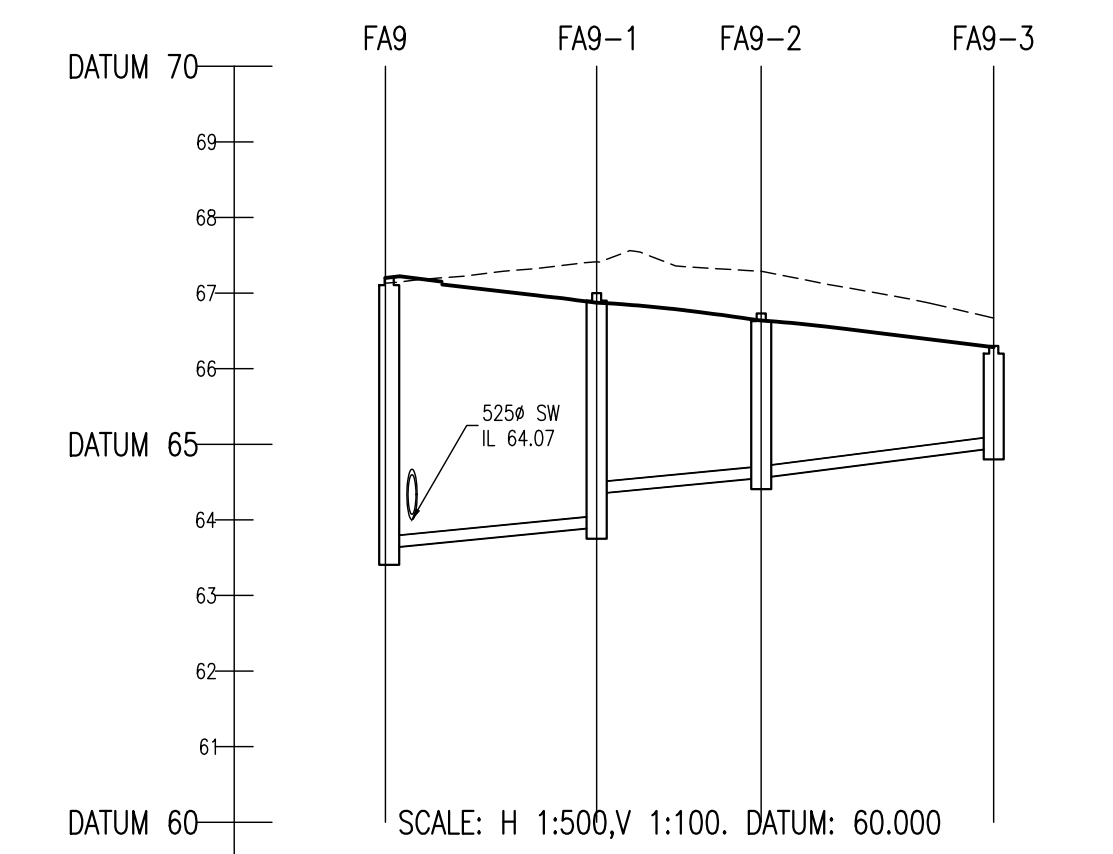


COVER LEVEL	65.040	65.150
INVERT LEVEL	62.979	63.300
DEPTH (m)	2.202	1.850
DISTANCE (m)	28.27	
PIPE SLOPE	1:88	
PIPE SIZE	225mm	

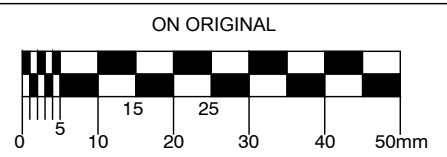


COVER LEVEL	67.700	67.900	68.200	68.450	68.680	68.860
INVERT LEVEL	65.584	66.900	66.692	66.714	66.967	67.241
DEPTH (m)	2.116	2.000	1.486	1.483	1.439	1.130
DISTANCE (m)		33.24	22.60	24.04	21.93	16.74
PIPE SLOPE		1:105	1:102	1:95	1:80	1:72
PIPE SIZE		225mm	225mm	225mm	225mm	150mm



COVER LEVEL	67.200	67.000	66.700	66.300
INVERT LEVEL	63.631	63.900	64.556	64.950
DEPTH (m)	3.650	3.100	2.174	1.350
DISTANCE (m)		13.72	10.88	15.38
PIPE SLOPE		1:51	1:52	1:39
PIPE SIZE		150mm	150mm	150mm

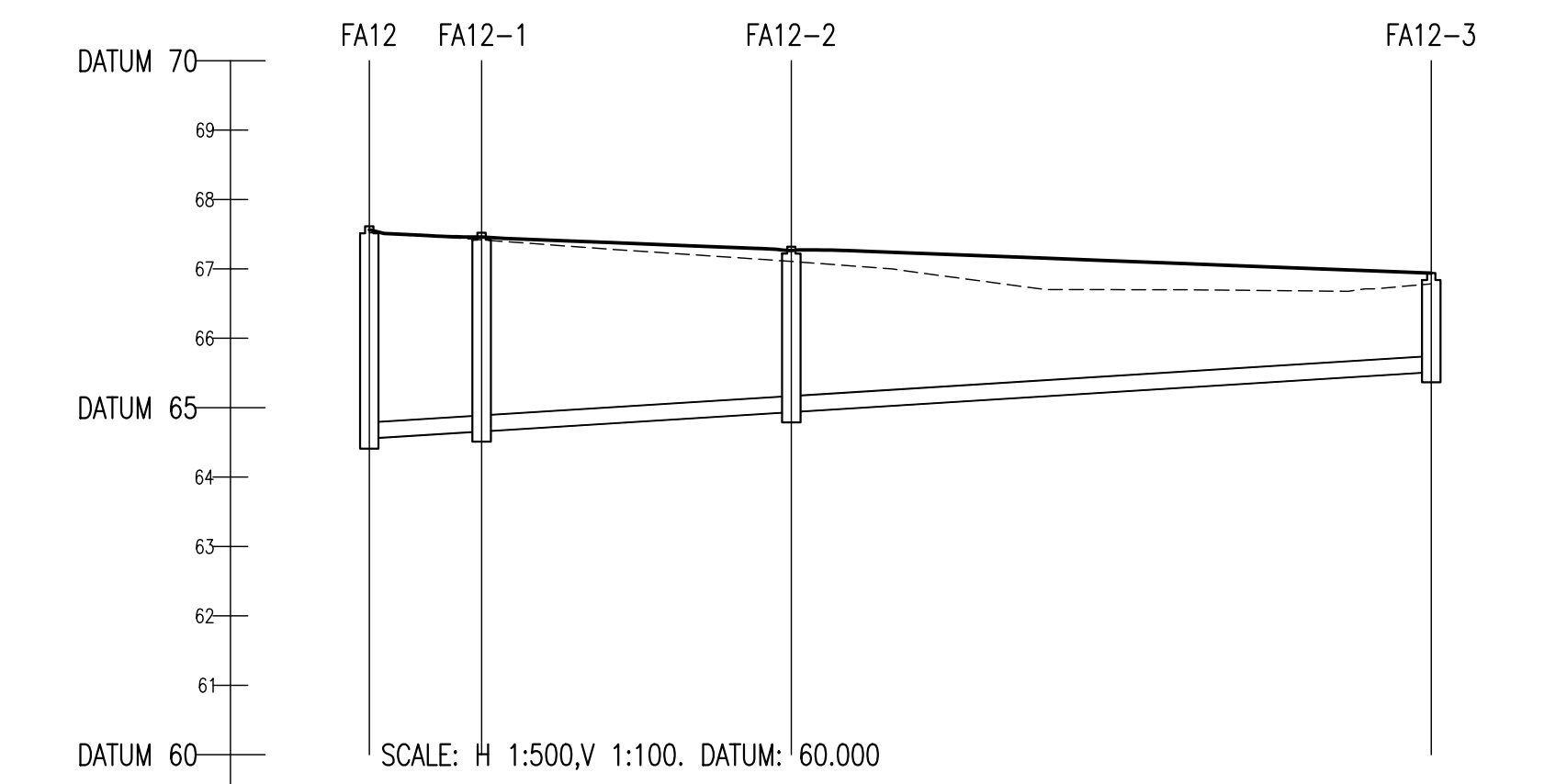
© COPYRIGHT OF THIS DRAWING IS RESERVED BY DBFL CONSULTING ENGINEERS. NO PART SHALL BE REPRODUCED OR TRANSMITTED WITHOUT THEIR WRITTEN PERMISSION.



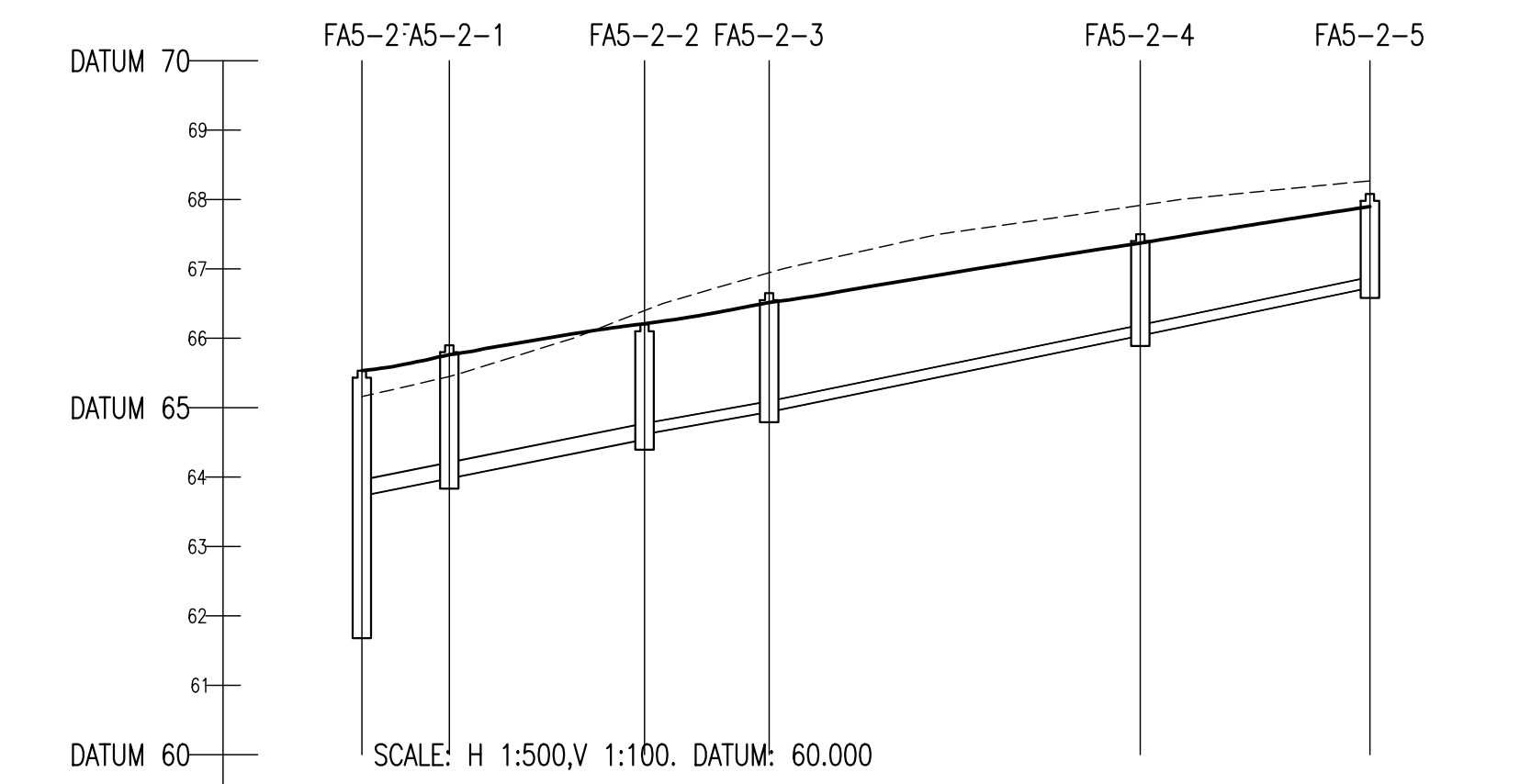
- NOTES:
- ALL DRAWINGS TO BE CHECKED BY CONTRACTOR ON SITE AND ENGINEER INFORMED OF DISCREPANCIES BEFORE WORK COMMENCES
 - ALL LEVELS ARE IN METRES AND ARE RELATED TO ORDNANCE DATUM
 - CONTRACTOR SHALL SATISFY HIMSELF AS TO THE ACCURACY OF PAVEMENT LEVELS ON SITE PRIOR TO COMMENCEMENT OF WORKS ON SITE
 - ALL WORKS TO BE CONSTRUCTED IN ACCORDANCE WITH THE NRA SPECIFICATION FOR ROAD WORKS UNLESS NOTED OTHERWISE
 - THIS DRAWING IS FOR PLANNING PURPOSES ONLY
 - MANHOLE COVER LEVELS ARE TO CONFORM WITH FINISHED ROAD AND PATH LEVELS
 - WHERE COVER TO PIPE IS LESS THAN 1200mm (ROAD/PATH/VERGE) OR 900mm (OPEN SPACE) SURROUND PIPE IN MINIMUM 150mm CONCRETE

KEY

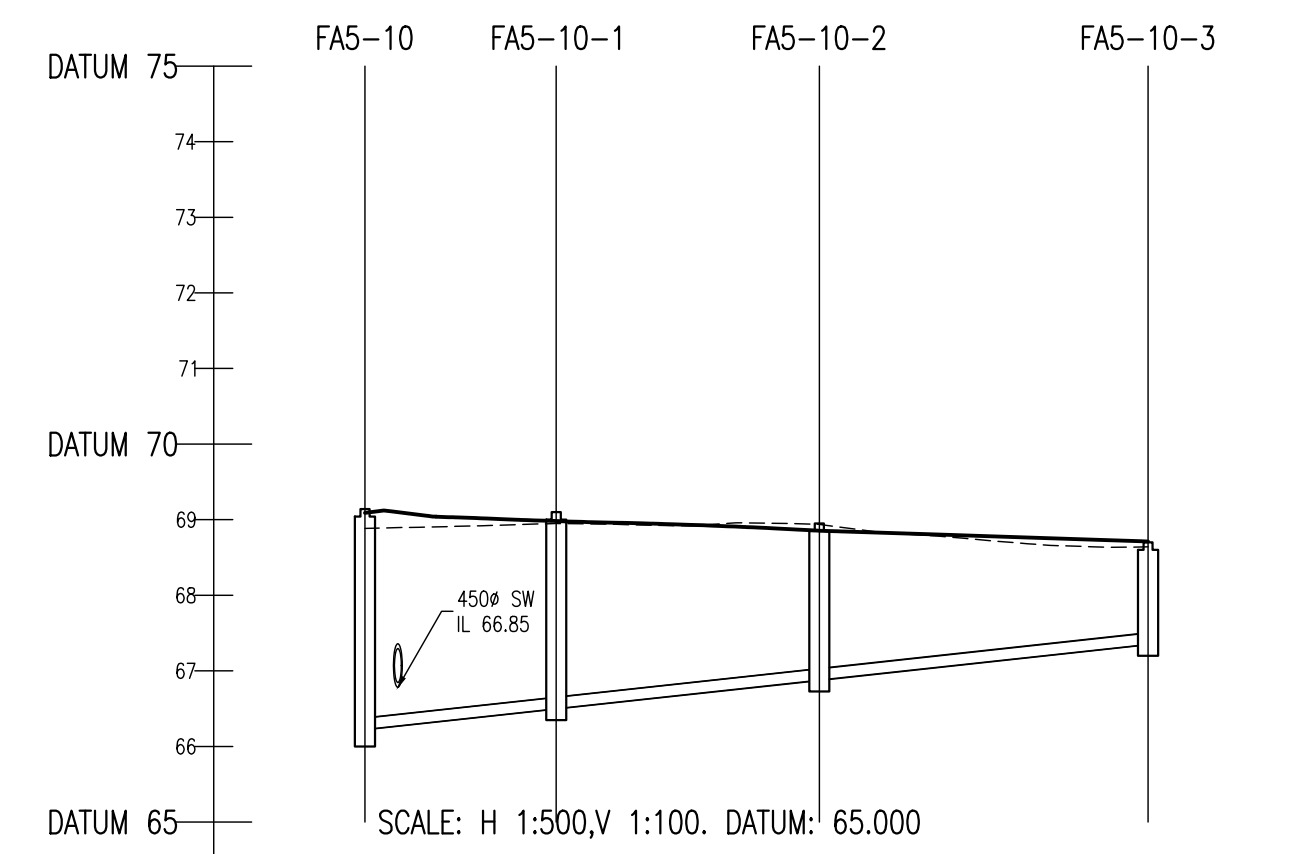
- - - - - EXISTING GROUND PROFILE
- PROPOSED GROUND PROFILE



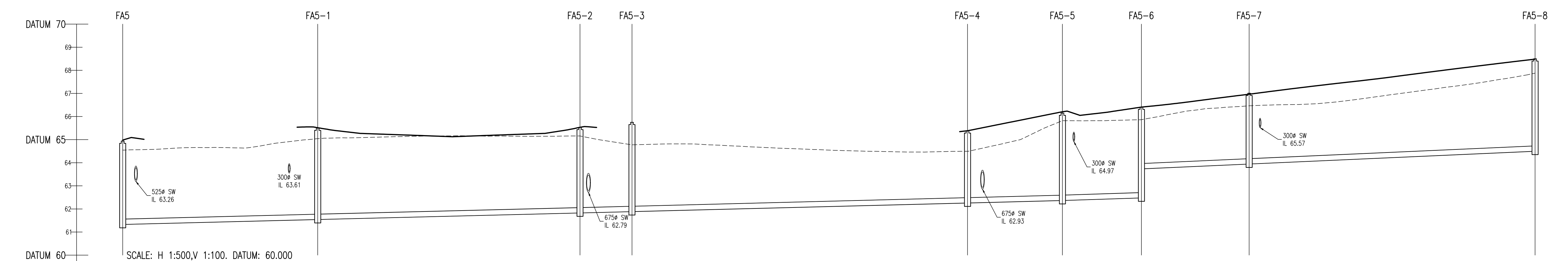
COVER LEVEL	67.613	67.320	66.940
INVERT LEVEL	64.659	64.660	64.939
DEPTH (m)	3.054	2.860	2.281
DISTANCE (m)	8.09	22.30	46.08
PIPE SLOPE	1:80	1:80	
PIPE SIZE	225mm	225mm	225mm



COVER LEVEL	65.532	65.900	66.200	66.650	67.300	68.080
INVERT LEVEL	63.331	63.983	64.004	64.545	66.039	66.639
DEPTH (m)	3.704	1.917	1.695	1.710	1.461	1.350
DISTANCE (m)	6.30	14.06	8.97	26.73	16.53	
PIPE SLOPE	1:25	1:25	1:28	1:24	1:24	
PIPE SIZE	225mm	225mm	150mm	150mm	150mm	



COVER LEVEL	69.140	69.100	68.950	68.700
INVERT LEVEL	66.224	66.499	66.877	67.350
DEPTH (m)	2.991	2.601	2.073	1.350
DISTANCE (m)	12.65	17.40	21.74	
PIPE SLOPE	1:46	1:46	1:46	
PIPE SIZE	150mm	150mm	150mm	



COVER LEVEL	64.940	65.500	65.532	65.750	65.394	66.150	66.409	67.010	68.500
INVERT LEVEL	61.331	61.545	61.829	61.887	62.260	62.368	62.460	63.947	66.800
DEPTH (m)	3.609	3.955	3.704	3.863	3.124	3.782	3.929	3.063	4.000
DISTANCE (m)		42.26	11.26	56.85	72.72	20.57	17.12	23.34	16.33
PIPE SLOPE		1:198	1:200	1:194	1:195	1:190	1:153	1:111	1:110
PIPE SIZE		225mm	225mm	225mm	225mm	225mm	225mm	225mm	225mm

PT	17/12/19	PLANNING ISSUE	PJC	BCM
REV	DATE	DESCRIPTION	BY	CHKD
STAGE 2 - PLANNING				
DESIGNED	BCM	PREPARED	PJC	
DATE	OCT 2019	CHECKED	DJR	

DBFL Consulting Engineers
 Dublin Office: Ormrod House, Upper Ormrod Quay, Dublin 7, Ireland. PHONE +353 1 400 4000 FAX +353 1 400 4050
 Waterford Office: Unit 2, The Chandlery, 1-2 O'Connell Street, Waterford, Ireland. PHONE +353 51 308 500 FAX +353 51 844 913
 Email: info@dbfl.ie Site: www.dbfl.ie

PROJECT
NEWTOWNMOYAGHY SHD

DRG. TITLE
LONGITUDINAL SECTIONS THROUGH FOUL SEWER SHEET 2 OF 6

CLIENT
MCGARRELL REILLY